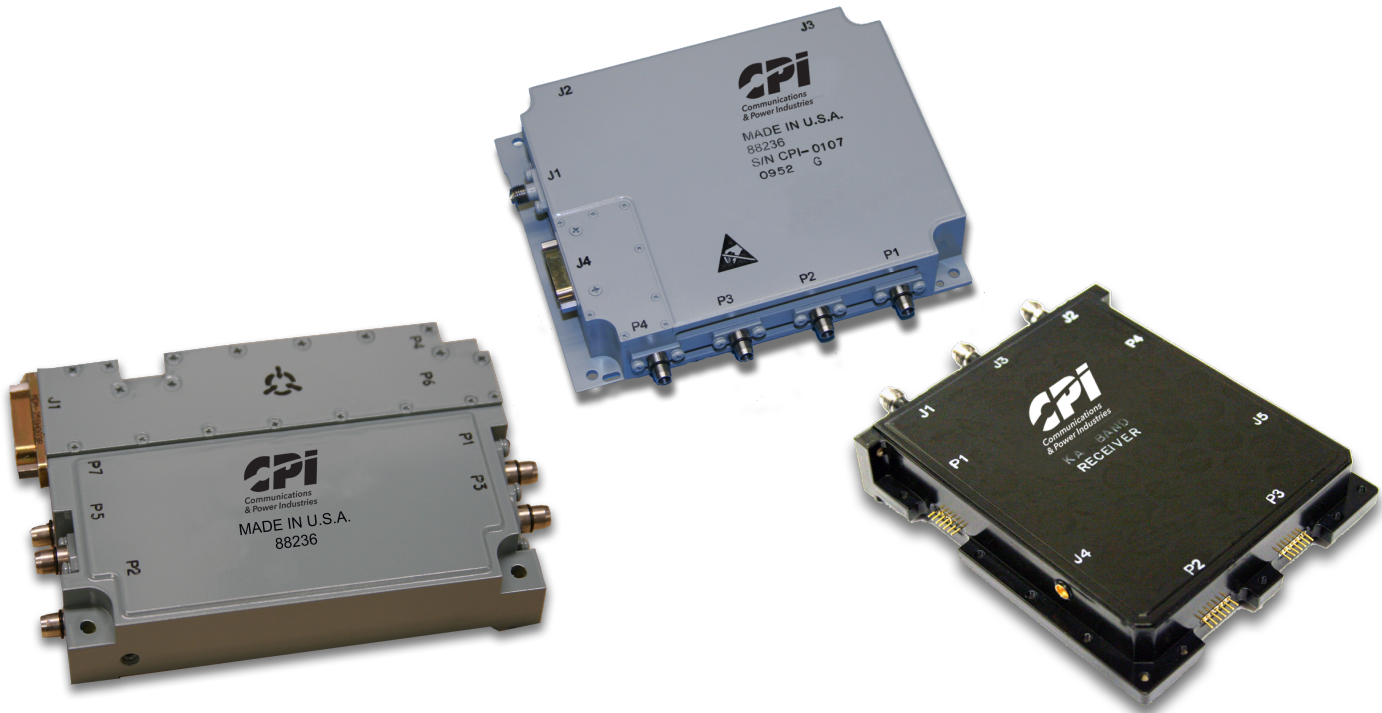


## CPI Electron Device Business - Receivers



CPI Electron Device Business has extensive expertise in manufacturing custom receiver assemblies for major radar, EW, and communications system OEMs from around the world.

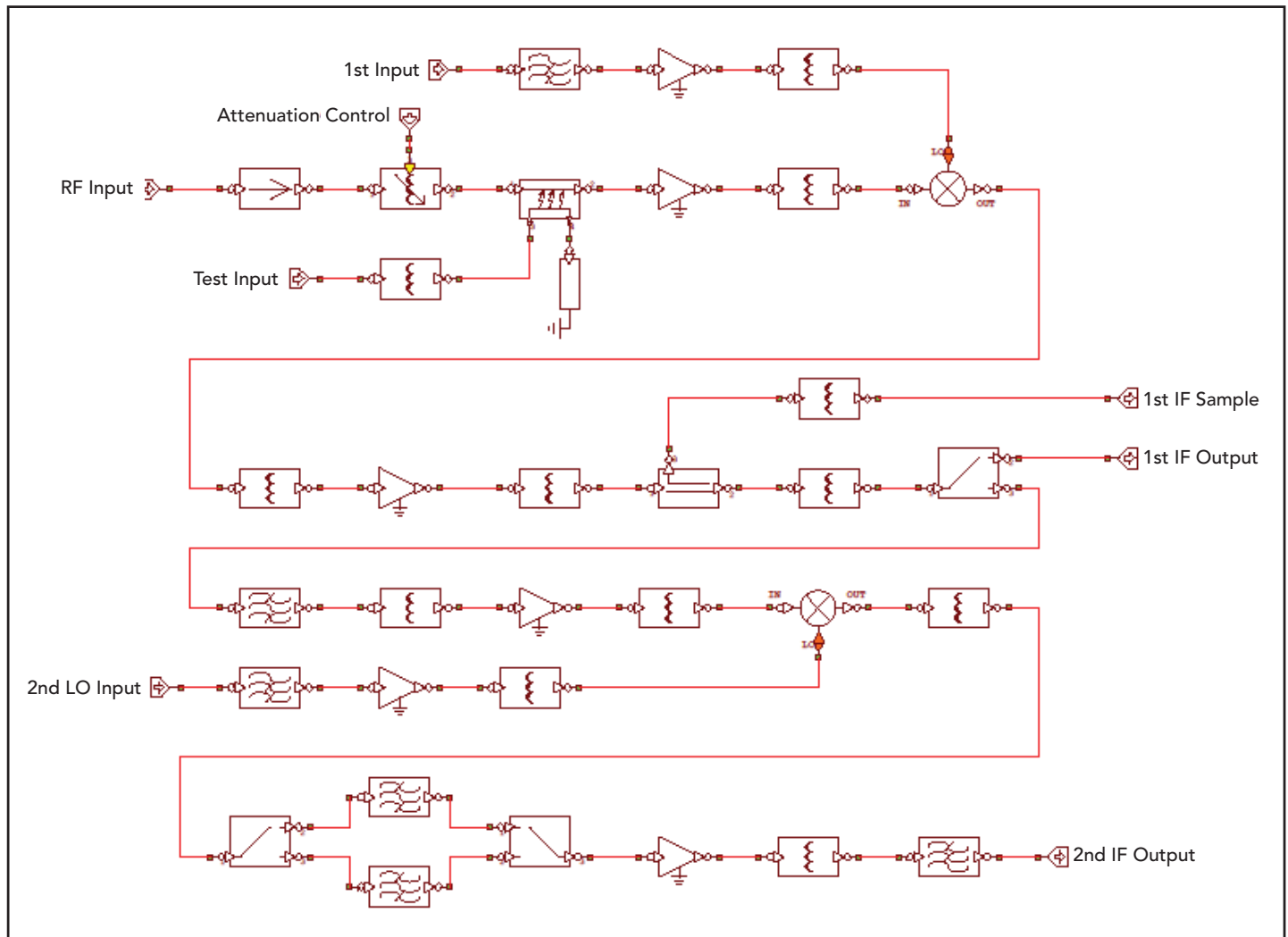
### FEATURES/OPTIONS:

- Single or dual-conversion radar receiver
- Couplers for test injection and output samples
- Switched IF filters
- Digital or analog gain control
- Linearized RF attenuation
- I/Q baseband outputs
- Auxiliary outputs for built-in-test

### PERFORMANCE CHARACTERISTICS:

- Frequencies up to Ka-band
- Noise figure less than 7 dB
- High dynamic range: -80 to +10 dBm
- Minimum detectable signal less than -90 dBm
- High spurious rejection greater than 70 dBc
- I/Q phase & amplitude balance less than 2 degrees and 0.1 dB
- Recovery time less than 500 nsec

## CPI Electron Device Business - Receivers



We have the ability to integrate your receiver into a larger assembly.  
Ask us about designing a complete subsystem for you today.



**Beverly Microwave  
Division**  
150 Sohier Road  
Beverly, Massachusetts  
USA 01915

tel +1 978-922-6000  
email [ElectronDevices@cpi-edb.com](mailto:ElectronDevices@cpi-edb.com)  
fax +1 978-922-8914  
web [www.cpi-edb.com](http://www.cpi-edb.com)

For more detailed information, please refer to the corresponding CPI EDB technical description if one has been published, or contact CPI EDB. Specifications may change without notice as a result of additional data or product refinement. Please contact CPI EDB before using this information for system design.

©2024 CPI Electron Device Business. Company proprietary; use and reproduction is strictly prohibited without written authorization from CPI EDB.